

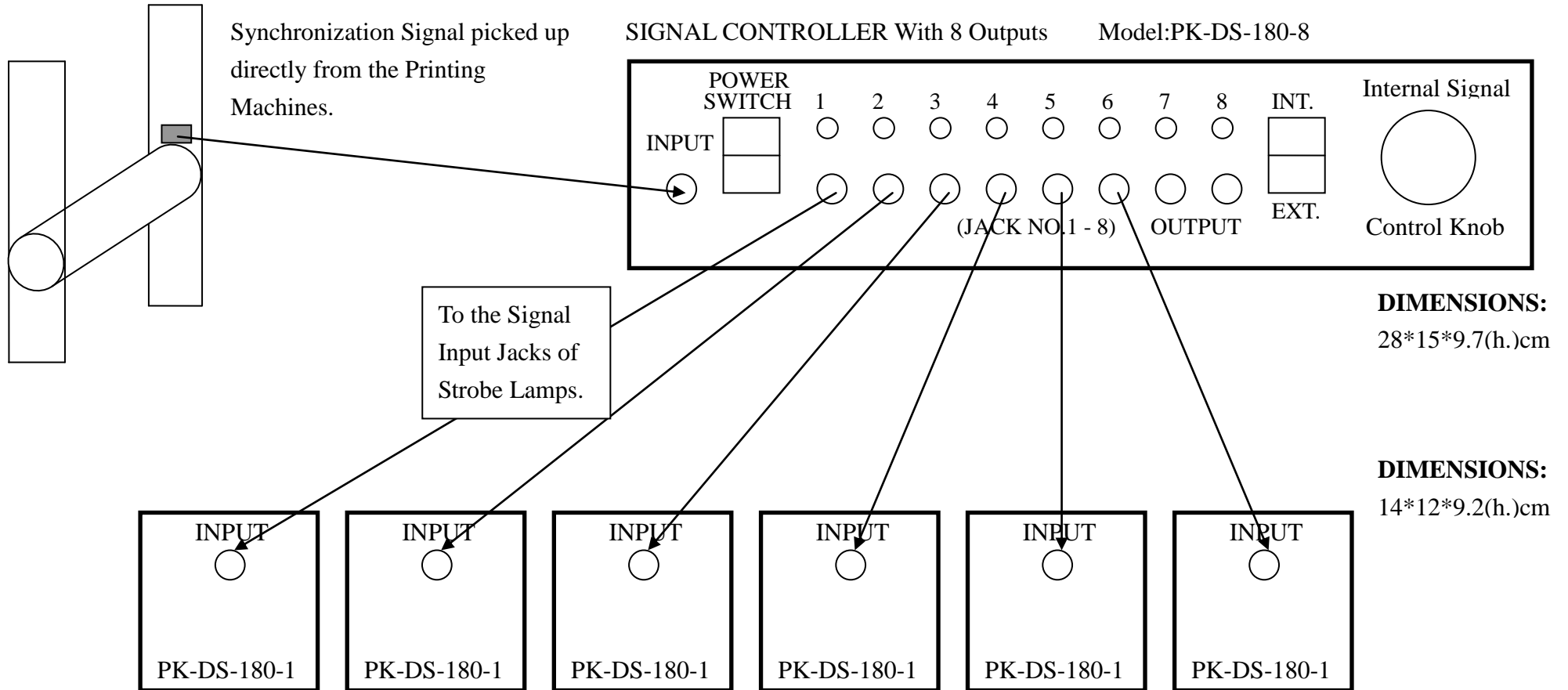
# Multiple STROBOSCOPES

Control Unit: **PK-DS-180-8**

Lamp House: **PK-DS-180-1**

- FEATURES:** (a) Separated strobes of up to 8 lamp houses can be simultaneously synchronized by Internal & External Signals.  
 (b) The number of lamp houses at your wish will be fixed on 25mm-diameter steel pipe by clamps of lamp houses.

## THE DIAGRAM FOR CONTROL SYSTEM WITH SEPARATED MULTIPLE STROBES:



Strobes Lamp

Houses serialized: No.1

No.2

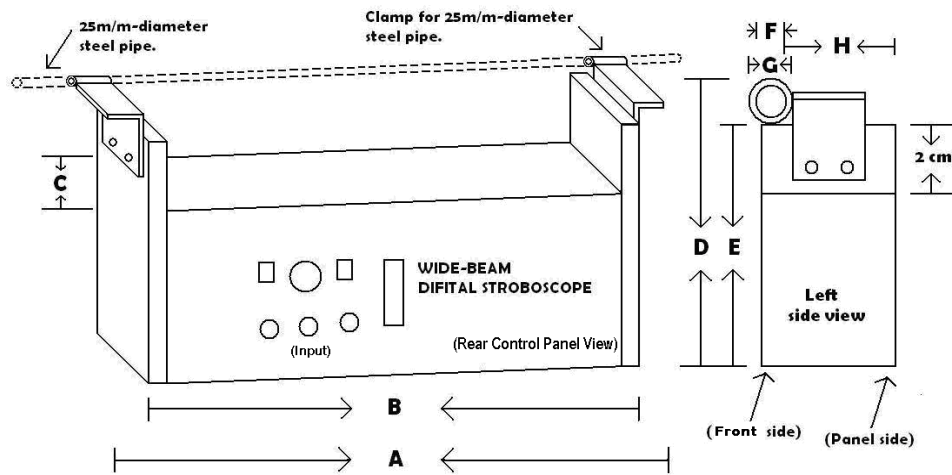
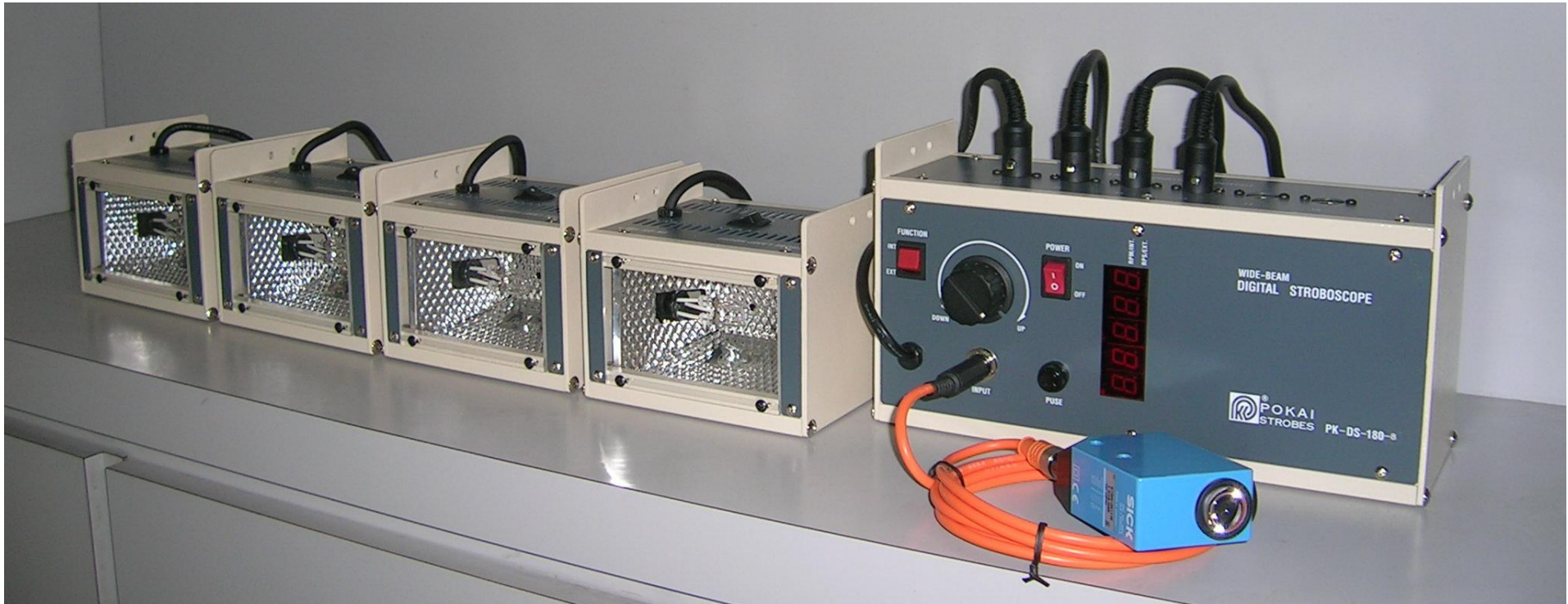
No.3

No.4

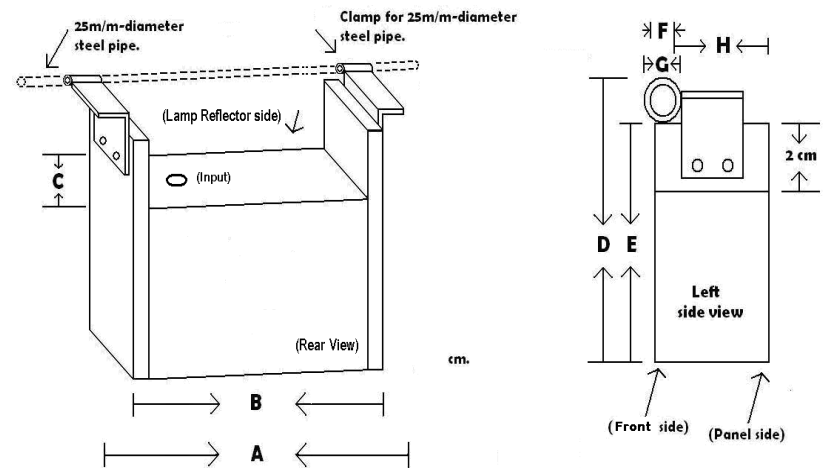
No.5

No.6





**Dimensions:**  
 Model: PK-DS-180-8 A: 36 cm. B: 28 cm. C: 9.7 cm. D: 19 cm. E: 15 cm. F: 2.8 cm. G: 3.4 cm. H: 7 cm.



**Dimensions:**  
 Model: PK-DS-180-8 A: 22 cm. B: 14 cm. C: 12 cm. D: 15.2 cm. E: 11.2 cm. F: 2.81 cm. G: 3.35 cm. H: 7.97 cm.